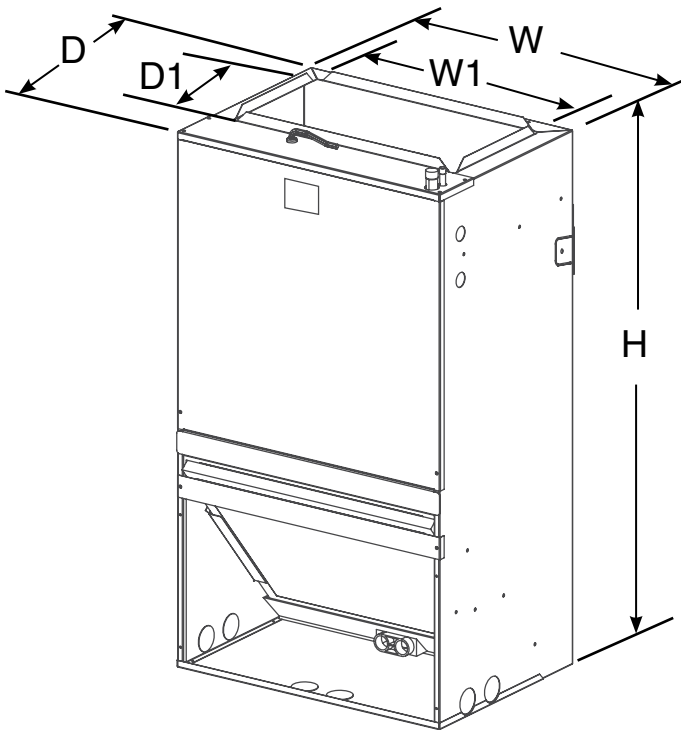


TAG: \_\_\_\_\_

# Submittal

## Wall-Mount Air Handlers 2 – 3 Ton Cooling/Heat Pump

JMM5A0A24M21SA  
JMM5A0B30M21SA  
JMM5A0B36M31SA



### Dimensional and Clearance Data

| MINIMUM UNIT CLEARANCE TABLE |                                    |                                 |
|------------------------------|------------------------------------|---------------------------------|
|                              | TO COMBUSTIBLE MATERIAL (REQUIRED) | SERVICE CLEARANCE (RECOMMENDED) |
| SIDES                        | 0"                                 | 0"                              |
| FRONT                        | 0"                                 | 24"                             |
| BACK                         | 0"                                 | 0"                              |
| INLET DUCT                   | 0"                                 | 0"                              |
| OUTLET DUCT                  | 0**                                |                                 |

\* 0 " FOR THE FIRST 3 FT. OF OUTLET DUCT WHEN ELECTRIC HEATERS ARE INSTALLED

|                | PRODUCT DIMENSIONS inch (mm) |               |               |            |              |     | Flow Control | Gas Line Braze | Unit weight/<br>Shipping Weight [LBS(kg)] |
|----------------|------------------------------|---------------|---------------|------------|--------------|-----|--------------|----------------|---|
|                | Height<br>H                  | Width<br>W    | Width<br>W1   | Depth<br>D | Depth<br>D1  |     |              |                |   |
| JMM5A0A24M21SA | 36-1/2" (928)                | 20-1/2" (522) | 16-5/8" (422) | 15" (381)  | 9-1/2" (242) | TXV | 3/4"         | 79/93 (36/42)  |   |
| JMM5A0B30M21SA | 39-1/2" (1004)               | 22" (559)     | 18-3/4" (477) | 19" (483)  | 9-1/2" (242) | TXV | 3/4"         | 97/115 (44/52) |   |
| JMM5A0B36M31SA | 39-1/2" (1004)               | 22" (559)     | 18-3/4" (477) | 19" (483)  | 9-1/2" (242) | TXV | 3/4"         | 97/115 (44/52) |   |

# PRODUCT SPECIFICATIONS

| MODEL                             | JMM5A0A24M21SAA           | JMM5A0B30M21SAA           | JMM5A0B36M31SAA           |
|-----------------------------------|---------------------------|---------------------------|---------------------------|
| RATED VOLTS/PH/HZ.                | 208-230/1/60              | 208-230/1/60              | 208-230/1/60              |
| RATINGS                           | See O.D. Specifications   | See O.D. Specifications   | See O.D. Specifications   |
| INDOOR COIL — Type                | Plate Fin                 | Plate Fin                 | Plate Fin                 |
| Rows — F.P.I.                     | 5 - 11                    | 5- 14                     | 5- 14                     |
| Face Area (sq. ft.)               | 2.20                      | 3.00                      | 3.00                      |
| Tube Size (in.)                   | 9/32                      | 9/32                      | 9/32                      |
| Refrigerant Control               | TXV                       | TXV                       | TXV                       |
| Drain Conn Size (in.)             | 3/4 NPT                   | 3/4 NPT                   | 3/4 NPT                   |
| DUCT CONNECTIONS                  | See Outline Drawing       | See Outline Drawing       | See Outline Drawing       |
| INDOOR FAN — Type                 | Centrifugal               | Centrifugal               | Centrifugal               |
| Diameter-Width (In.)              | 10-5/6 X 6-1/7            | 10-3/5 X 9-10/7           | 10-3/5 X 9-10/7           |
| No. Used                          | 1                         | 1                         | 1                         |
| Drive - No Speeds                 | Direct - 5                | Direct - 5                | Direct - 5                |
| CFM vs. in. w.g.                  | See Fan Performance Table | See Fan Performance Table | See Fan Performance Table |
| No. Motors — H.P.                 | 1 - 1/3                   | 1 - 1/2                   | 1 - 1/2                   |
| Motor Speed R.P.M.                | 1050                      | 1050                      | 1050                      |
| Volts/Ph/Hz                       | 208-230/1/60              | 208-230/1/60              | 208-230/1/60              |
| F.L. Amps                         | 1.9                       | 2.7                       | 2.7                       |
| FILTER                            |                           |                           |                           |
| Filter Furnished?                 | No                        | No                        | No                        |
| Type Recommended                  | Throwaway                 | Throwaway                 | Throwaway                 |
| No.-Size-Thickness                | 1 - 16X 20 - 1 in.        | 1 - 20X 20 - 1 in.        | 1 - 20X 20 - 1 in.        |
| REFRIGERANT                       | R-410A                    | R-410A                    | R-410A                    |
| Ref Line Connections              | Brazed                    | Brazed                    | Brazed                    |
| Coupling or Conn. Size — in. Gas  | 3/4                       | 3/4                       | 3/4                       |
| Coupling or Conn. Size — in. Liq. | 3/8                       | 3/8                       | 3/8                       |
| DIMENSIONS                        | H x W x D                 | H x W x D                 | H x W x D                 |
| Crated (In.)                      | 39-3/8x22-6/7x17-1/3      | 42-4/7x24-1/4x21-2/7      | 42-4/7x24-1/4x21-2/7      |
| Uncrated                          | 36-1/2x20-1/2x15          | 39-1/2x22x19              | 39-1/2x22x19              |
| WEIGHT                            |                           |                           |                           |
| Shipping (Lbs.)/ Net (Lbs.)       | 93/79                     | 97/115                    | 97/115                    |

# Performance and Electrical Data – JMM5A0A24–B36

## AIR FLOW PERFORMANCE (Standard CFM)

| MODEL SIZE     | BLOWER SPEEDS   | EXTERNAL STATIC PRESSURE (INWC.) |      |      |      |      |      |      |      |      |
|----------------|-----------------|----------------------------------|------|------|------|------|------|------|------|------|
|                |                 | 0                                | 0.1  | 0.2  | 0.3  | 0.4  | 0.5  | 0.6  | 0.7  | 0.8  |
| JMM5A0A24M21SA | TAP 5           | 913                              | 881  | 848  | 818  | 792  | 763  | 731  | 691  | 650  |
|                | TAP 4 - Factory | 825                              | 787  | 753  | 717  | 682  | 650  | 617  | 580  | 540  |
|                | TAP 3           | 737                              | 700  | 663  | 630  | 589  | 550  | 511  | 474  | 436  |
|                | * TAP 2         | 675                              | 632  | 596  | 555  | 521  | 480  | 440  | 399  | 366  |
|                | TAP 1           | 590                              | 548  | 499  | 455  | 430  | 368  | 338  | 309  | 263  |
| JMM5A0B30M21SA | TAP 5           | 1362                             | 1325 | 1266 | 1238 | 1197 | 1159 | 1119 | 1080 | 1040 |
|                | TAP 4           | 1282                             | 1242 | 1176 | 1151 | 1111 | 1071 | 1028 | 975  | 936  |
|                | TAP 3           | 1267                             | 1225 | 1143 | 1120 | 1078 | 1036 | 993  | 942  | 897  |
|                | TAP 2 - Factory | 1157                             | 1111 | 1052 | 1016 | 971  | 929  | 884  | 842  | 802  |
|                | TAP 1           | 1077                             | 1028 | 965  | 932  | 886  | 850  | 804  | 768  | 732  |
| JMM5A0B36M31SA | TAP 5           | 1362                             | 1325 | 1266 | 1238 | 1197 | 1159 | 1119 | 1080 | 1040 |
|                | TAP 4 - Factory | 1282                             | 1242 | 1176 | 1151 | 1111 | 1071 | 1028 | 975  | 936  |
|                | TAP 3           | 1267                             | 1225 | 1143 | 1120 | 1078 | 1036 | 993  | 942  | 897  |
|                | TAP 2           | 1157                             | 1111 | 1052 | 1016 | 971  | 929  | 884  | 842  | 802  |
|                | TAP 1           | 1077                             | 1028 | 965  | 932  | 886  | 850  | 804  | 768  | 732  |

Shaded boxes represent airflow outside the required 300-400 cfm/ton.

\* When JMM5A0B24MM21SA uses the 18 KBTU outdoor unit, select SCFM between 450 and 675.

### NOTES:

1. Airflow based upon dry coil at 230V with no electric heat, no filter. For 24, 30, and 36 sizes, airflow at 208V is approximately the same as 230V because the mult-tap ECM motor is a constant torque motor. The torque doesn't drop off at the speeds in which the motor operates.
2. Airflow is equivalent for front or bottom return configurations.
3. SCFM is nearly the same with cooling performance airflow, the gap is in the 1 to 2%.

| ELECTRICAL DATA |                            |          |       |                               |                                |                                   |          |       |                               |                                |                                   |
|-----------------|----------------------------|----------|-------|-------------------------------|--------------------------------|-----------------------------------|----------|-------|-------------------------------|--------------------------------|-----------------------------------|
| JMM5A0A24M21SA  |                            |          |       |                               |                                |                                   |          |       |                               |                                |                                   |
| Heater Model No | No. of Circuits/<br>Phases | 240 Volt |       |                               |                                |                                   | 208 Volt |       |                               |                                |                                   |
|                 |                            | Capacity |       | Heater<br>Amps per<br>Circuit | Minimum<br>Circuit<br>Ampacity | Maximum<br>Overload<br>Protection | Capacity |       | Heater<br>Amps per<br>Circuit | Minimum<br>Circuit<br>Ampacity | Maximum<br>Overload<br>Protection |
|                 |                            | kW       | BTUH  |                               |                                |                                   | kW       | BTUH  |                               |                                |                                   |
| No Heater       |                            |          |       |                               | 2.4                            | 15                                |          |       |                               | 2.4                            | 15                                |
| BAYHTRJ505BRKA* | 1/1                        | 5        | 17100 | 20.8                          | 28.5                           | 30                                | 3.8      | 12800 | 18.0                          | 25.0                           | 30                                |
| BAYHTRJ508BRKA* | 1/1                        | 7.5      | 25600 | 31.2                          | 41.5                           | 45                                | 5.6      | 19200 | 27.1                          | 36.3                           | 40                                |
| BAYHTRJ510BRKA* | 1/1                        | 10       | 34100 | 41.7                          | 54.5                           | 60                                | 7.5      | 25600 | 36.1                          | 47.6                           | 50                                |

| ELECTRICAL DATA |                            |          |       |                               |                                |                                   |          |       |                               |                                |                                   |
|-----------------|----------------------------|----------|-------|-------------------------------|--------------------------------|-----------------------------------|----------|-------|-------------------------------|--------------------------------|-----------------------------------|
| JMM5A0B30M21SA  |                            |          |       |                               |                                |                                   |          |       |                               |                                |                                   |
| Heater Model No | No. of Circuits/<br>Phases | 240 Volt |       |                               |                                |                                   | 208 Volt |       |                               |                                |                                   |
|                 |                            | Capacity |       | Heater<br>Amps per<br>Circuit | Minimum<br>Circuit<br>Ampacity | Maximum<br>Overload<br>Protection | Capacity |       | Heater<br>Amps per<br>Circuit | Minimum<br>Circuit<br>Ampacity | Maximum<br>Overload<br>Protection |
|                 |                            | kW       | BTUH  |                               |                                |                                   | kW       | BTUH  |                               |                                |                                   |
| No Heater       |                            |          |       |                               | 3.4                            | 15                                |          |       |                               | 3.4                            | 15                                |
| BAYHTRJ505BRKA* | 1/1                        | 5        | 17100 | 20.8                          | 29.5                           | 30                                | 3.8      | 12800 | 18.0                          | 26.0                           | 30                                |
| BAYHTRJ508BRKA* | 1/1                        | 7.5      | 25600 | 31.2                          | 42.5                           | 45                                | 5.6      | 19200 | 27.1                          | 37.3                           | 40                                |
| BAYHTRJ510BRKA* | 1/1                        | 10       | 34100 | 41.7                          | 55.5                           | 60                                | 7.5      | 25600 | 36.1                          | 48.6                           | 50                                |

| ELECTRICAL DATA |                            |          |       |                               |                                |                                   |          |       |                               |                                |                                   |
|-----------------|----------------------------|----------|-------|-------------------------------|--------------------------------|-----------------------------------|----------|-------|-------------------------------|--------------------------------|-----------------------------------|
| JMM5A0B36M31SA  |                            |          |       |                               |                                |                                   |          |       |                               |                                |                                   |
| Heater Model No | No. of Circuits/<br>Phases | 240 Volt |       |                               |                                |                                   | 208 Volt |       |                               |                                |                                   |
|                 |                            | Capacity |       | Heater<br>Amps per<br>Circuit | Minimum<br>Circuit<br>Ampacity | Maximum<br>Overload<br>Protection | Capacity |       | Heater<br>Amps per<br>Circuit | Minimum<br>Circuit<br>Ampacity | Maximum<br>Overload<br>Protection |
|                 |                            | kW       | BTUH  |                               |                                |                                   | kW       | BTUH  |                               |                                |                                   |
| No Heater       |                            |          |       |                               | 3.4                            | 15                                |          |       |                               | 3.4                            | 15                                |
| BAYHTRJ505BRKA* | 1/1                        | 5        | 17100 | 20.8                          | 29.5                           | 30                                | 3.8      | 12800 | 18.0                          | 26.0                           | 30                                |
| BAYHTRJ508BRKA* | 1/1                        | 7.5      | 25600 | 31.2                          | 42.5                           | 45                                | 5.6      | 19200 | 27.1                          | 37.3                           | 40                                |
| BAYHTRJ510BRKA* | 1/1                        | 10       | 34100 | 41.7                          | 55.5                           | 60                                | 7.5      | 25600 | 36.1                          | 48.6                           | 50                                |

