

START CONTROL KIT INSTALLATION MANUAL



MAYKSKT001

Version: MD18I-002AW
16123000A17435

Thank you very much for purchasing our product.
Before using your unit, please read this manual carefully and keep it for future reference.

SAFETY PRECAUTION

- Read the safety precautions carefully before installing the unit.
- Stated below are important safety issues that must be obeyed.
- Confirm there is no abnormal phenomena during test operation after complete, then leave the manual with the end user.
- Meaning of marks:

 WARNING	Indicates a hazardous situation which, if not avoided, could result in death or serious injury.
 CAUTION	Indicates a hazardous situation which, if not avoided, could result in minor to moderate injury.



WARNING

Please have a professional install this unit.

Installation by other persons may lead to improper installation, electric shock or fire.

Strictly follow this manual.

Improper installation may lead to electric shock or fire.

Reinstallation must be performed by professionals.

Improper installation may lead to electric shock or fire.

Do not disassemble the heat pump unless you are a professional servicing or repairing the unit.

Disassembly by a non-professional may cause abnormal operation or heating, which may result in fire.

Make sure all power to unit is turned off.

Before installing, modifying, or servicing system, main electrical disconnect switch must be in the OFF position and install a lockout tag. There may be more than 1 disconnect switch. Always use a suitable warning label.

Beware of potential cut hazards.

Sheet metal parts may have sharp edges or burrs. Use care and wear appropriate protective clothing and gloves when handling parts.



CAUTION

Follow all safety codes.

Wear safety glasses, protective clothing, and work gloves. Use wet cloth for brazing operations and have fire extinguisher available. Read these instructions thoroughly and follow all warnings or cautions included in literature and attached to the unit. Consult local building codes and current editions of the National Electrical Code (NEC) NFPA70. In Canada, refer to current editions of the Canadian electrical code CSA 22.1.

Introduction

These instructions cover installation of TENQI Part No.FXMTM-6 on dual capacitor units equipped with run capacitor.The device is designed to increase compressor starting torque and can be used on all psc single phase 120V~288V heat pumps from 18000 to 120000 Btu(1.5T - 10 T).

Mounting start control kit

STEP 1- Make sure all power to unit is turned off.

STEP 2- Remove cover panel on control box compartment.

STEP 3- Open Start Control Kit and remove kit assembly.

STEP 4- With the screws provided, secure Start Control Kit in control compartment as illustrated.(Figure 1)

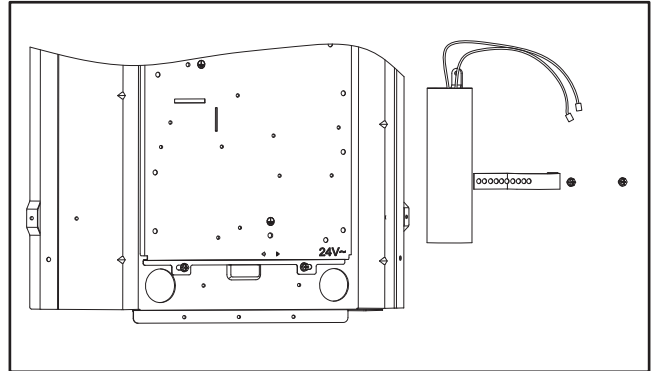


Figure1

Wiring Start Control Kit

STEP 5- Connect two wires from FXMTM-6 in parallel with run capacitor as illustrated (Figure 2)

Note: Use piggy back terminal of FXMTM-6 if all run capacitor terminals are being used.

STEP 6- To replace control compartment panel reverse procedure used to remove these items.

STEP 7- Turn on power, which was disconnected in STEP 1.

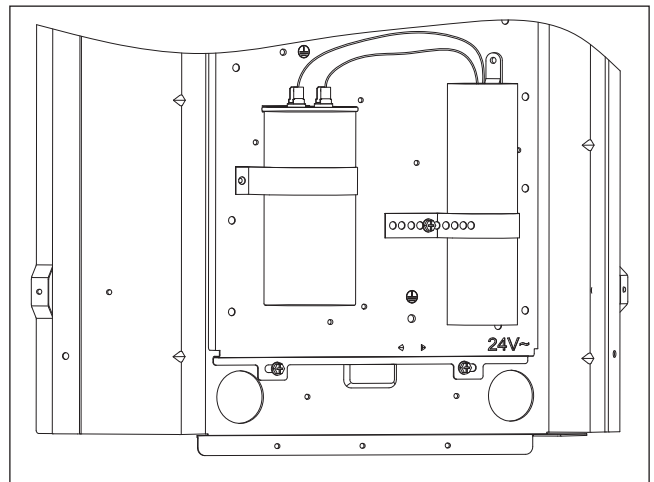


Figure 2