

FG7TC Series

Two Stage, Variable Speed, Condensing Upflow/Horizontal and Downflow Gas Furnaces

Induced Draft - 95.1 AFUE
Input 60,000 - 120,000 Btuh

The high efficiency upflow gas furnace may be installed free standing in a utility room, basement, or enclosed in an alcove or closet. Upflow/horizontal units come ready for upflow or horizontal application. The extended flush jacket provides a pleasing "appliance appearance." Design certified by CSA for application in Canada and the United States.



This furnace series is approved and certified by the SCAQM and the SJVAPC Districts in the state of California under each Districts' Mitigation Fee Plan for shipment into and sales in both districts.

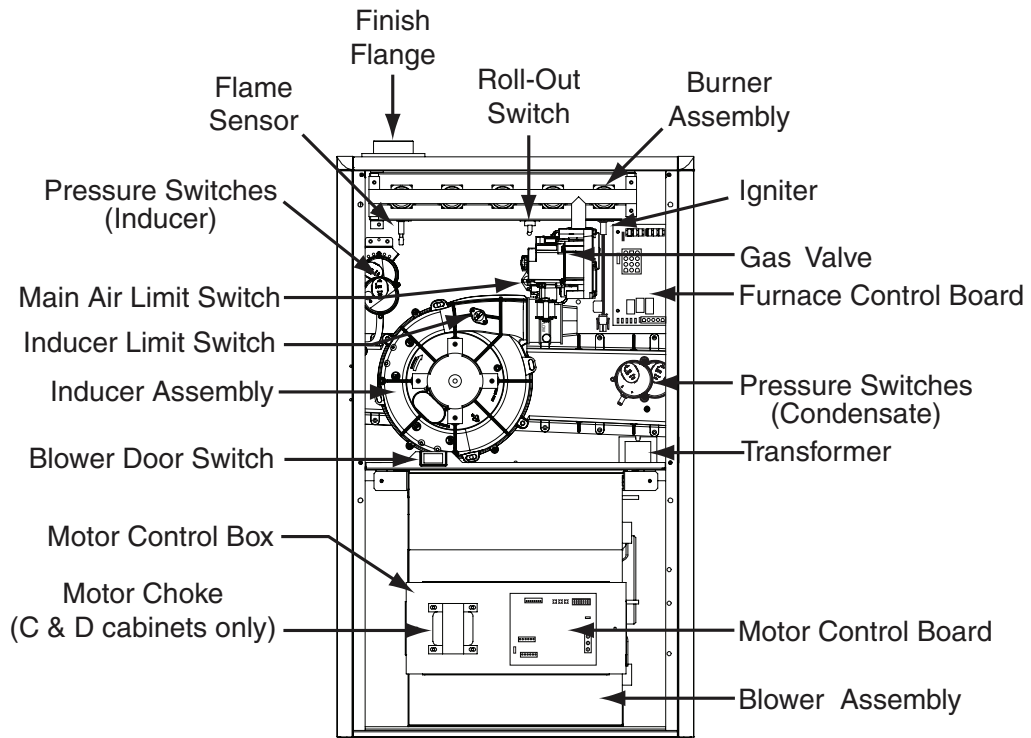
For California installations in SCAQMD only: This furnace does not meet the SCAQMD Rule 1111 NO_x emission limit (14 ng/J), and thus is subject to a mitigation fee of up to \$450. This furnace is not eligible for the Clean Air Furnace Rebate Program: www.CleanAirFurnaceRebate.com.

FEATURES and BENEFITS

- **100% fired and tested:** All units and each component are tested on the manufacturing line.
- **Best packaging in the industry:** Unique corner post design assures product will arrive to the homeowner dent free.
- **30 second blower delay:** At start-up assures a warm duct temperature at furnace start-up. Adjustable blower off settings (60, 90, 120 and 180 seconds).
- **30 second post purge:** Increases life of heat exchanger.
- **Two Stage Inducer:** Optimizes efficiency on first stage heat and reduces sound levels.
- **Hot surface igniter:** Innovative application of a silicon nitride type igniter.
- **Color coded wire harness:** Designed to fit the components, all with quick-connect fittings for ease of service and replacement.
- **Flexible category IV venting system:** May be vertically or horizontally vented using either a one-pipe or two-pipe system for maximum flexibility in installation.
- **High Static Blowers:** All models equipped with high static blowers.
- **Low Boy Height:** Easy to apply in low ceiling applications, works well with taller high SEER coils, easier to handle and install.
- **Tubular primary heat exchanger:** Heavy gauge aluminized steel heat exchanger and stainless steel secondary heat exchanger assures a long life.
- **60 second fixed cooling cycle blower-off delay (TDR):** Increases cooling performance when paired with an AHRI match.
- **LP convertible:** Simple burner orifice and regulator spring change for ease of convertibility.
- **Diagnostic lights for easy troubleshooting without counting flashes:** Dedicated light for flame signal strength and 2 lights in combination to indicate all other fault codes with easy to recognize states without counting flashes.
- **Incorporates integrated control board:** With connections for electronic air cleaner and humidifier.
- **Two piece door design:** Enhances furnace appearance and uses captured screws to prevent losing door screws.
- **Blower Compartment:** Sealed door to reduce air leakage and insulated for ultra quiet operation.
- **Sealed Vestibule:** Reduces burner and inducer sound levels.
- **Furnace Air Leakage:** These furnaces comply with Energy Star cabinet air leakage requirement of less than or equal to 2%. Keep the conditioned air flowing to where it's needed.
- **PolyPro by DuraVent:** These furnaces have been tested with and are approved to be installed with DuraVent's PolyPro venting system.

LOCATION OF FURNACE COMPONENTS

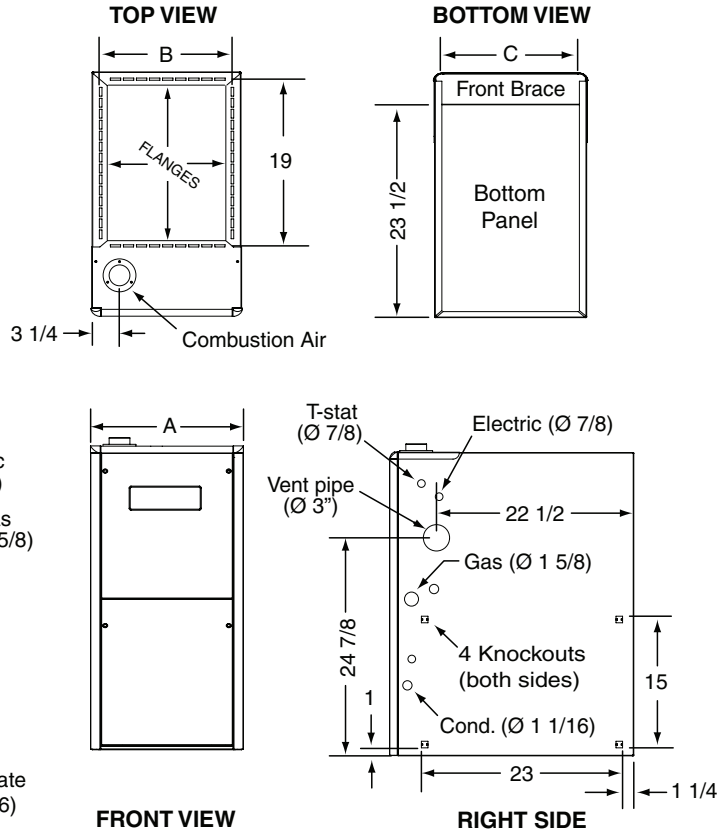
UPFLOW / HORIZONTAL FURNACE (*TC SERIES)



DIMENSIONS

*TC Model #'s	Dimension "A"	Dimension "B"	Dimension "C"
060D-VB	17 1/2	15 7/8	16 1/8
080D-VC	21	19 3/8	19 5/8
100D-VC			
120D-VD	24 1/2	22 7/8	23 1/8

NOTE: Dimensions shown in inches



FG7TC 95.1+ High Efficiency Upflow/Horizontal Series

BLOWER PERFORMANCE - FG7TC

Nominal Heating Airflows (CFM) and Temperature Rise (°F)

B Cabinet				*TC-060D-VB Models	
Switch Settings HEAT				Input (BTU) 60000	
A/B	2	3	4	CFM	Temp Rise (°F)
1	0	0	0	1000	53
1	0	0	1	1100	48
1	0	1	0	1200	44
1	0	1	1	1300	41
1	1	0	0	1400	38
1	1	0	1	1500	35
1	1	1	0	1600	33
1	1	1	1	1700	31

C Cabinet				*TC-080D-VC Models		*TC-100D-VC Models	
Switch Settings HEAT				Input (BTU) 80000		Input (BTU) 100000	
A/B	2	3	4	CFM	Temp Rise (°F)	CFM	Temp Rise (°F)
#	0	0	0	1000	70	1000	88
#	0	0	1	1115	63	1115	79
#	0	1	0	1230	57	1230	72
#	0	1	1	1345	52	1345	65
#	1	0	0	1460	48	1460	60
#	1	0	1	1575	45	1575	56
#	1	1	0	1690	42	1690	52
#	1	1	1	1805	39	1805	49

Switch not used - can be 0 or 1

D Cabinet				*TC-120D-VD Models	
Switch Settings HEAT				Input (BTU) 120000	
A/B	2	3	4	CFM	Temp Rise (°F)
#	0	0	0	1500	70
#	0	0	1	1615	65
#	0	1	0	1730	61
#	0	1	1	1845	57
#	1	0	0	1960	54
#	1	0	1	2075	51
#	1	1	0	2190	48
#	1	1	1	2305	46

Notes:

1. Two openings are recommended for airflows above 1600 CFM if the filter(s) is (are) adjacent to the furnace.
2. Temperature rises in the table are approximate. Actual temperature rises may vary.
3. Temperature rises that are shaded in grey are for reference only. These conditions are not recommended.
4. The blower operating range is .1" to .8" ESP in wc.

COOLING AIRFLOW

"A" CABINET									
Switch Settings (0 = OFF, 1 = ON)					CFM		Nominal A/C & HP Capacity		
HEAT		COOL			LOW	HIGH			
1-4	5	6	7	8					
0	0	0	0	0	350	525			
0	0	0	0	1	390	580			
0	0	0	1	0	425	635			
0	0	0	1	1	460	690			
0	0	1	0	0	500	745			
0	0	1	0	1	535	800			
0	0	1	1	0	575	855			
0	0	1	1	1	610	910			
0	1	0	0	0	645	965			
0	1	0	0	1	685	1020			
0	1	0	1	0	720	1075			
0	1	0	1	1	755	1130			
0	1	1	0	0	795	1185			
0	1	1	0	1	830	1240			
0	1	1	1	0	870	1295			
0	1	1	1	1	905	1350			

"B" CABINET									
Switch Settings (0 = OFF, 1 = ON)					CFM		Nominal A/C & HP Capacity		
HEAT		COOL			LOW	HIGH			
1-4	5	6	7	8					
1	0	0	0	0	470	700			
1	0	0	0	1	510	760			
1	0	0	1	0	550	820			
1	0	0	1	1	590	880			
1	0	1	0	0	630	940			
1	0	1	0	1	670	1000			
1	0	1	1	0	710	1060			
1	0	1	1	1	750	1120			
1	1	0	0	0	790	1180			
1	1	0	0	1	830	1240			
1	1	0	1	0	870	1300			
1	1	0	1	1	910	1360			
1	1	1	0	0	950	1420			
1	1	1	0	1	990	1480			
1	1	1	1	0	1030	1540			
1	1	1	1	1	1070	1600			

"C" CABINET									
Switch Settings (0 = OFF, 1 = ON)					CFM		Nominal A/C & HP Capacity		
HEAT		COOL			LOW	HIGH			
1-4	5	6	7	8					
#	0	0	0	0	685	1025			
#	0	0	0	1	730	1090			
#	0	0	1	0	775	1155			
#	0	0	1	1	815	1220			
#	0	1	0	0	860	1285			
#	0	1	0	1	905	1350			
#	0	1	1	0	950	1415			
#	0	1	1	1	990	1480			
#	1	0	0	0	1035	1545			
#	1	0	0	1	1080	1610			
#	1	0	1	0	1120	1675			
#	1	0	1	1	1165	1740			
#	1	1	0	0	1210	1805			
#	1	1	0	1	1255	1870			
#	1	1	1	0	1295	1935			
#	1	1	1	1	1340	2000			

"D" CABINET									
Switch Settings (0 = OFF, 1 = ON)					CFM		Nominal A/C & HP Capacity		
HEAT		COOL			LOW	HIGH			
1-4	5	6	7	8					
#	0	0	0	0	940	1400			
#	0	0	0	1	965	1440			
#	0	0	1	0	990	1480			
#	0	0	1	1	1020	1520			
#	0	1	0	0	1045	1560			
#	0	1	0	1	1070	1600			
#	0	1	1	0	1100	1640			
#	0	1	1	1	1125	1680			
#	1	0	0	0	1150	1720			
#	1	0	0	1	1180	1760			
#	1	0	1	0	1205	1800			
#	1	0	1	1	1235	1840			
#	1	1	0	0	1260	1880			
#	1	1	0	1	1285	1920			
#	1	1	1	0	1315	1960			
#	1	1	1	1	1340	2000			

Switch not used - can be 0 or 1

Switch not used - can be 0 or 1

VENTING

All models are approved for vertical non direct (1 pipe) and direct (2 pipe) venting applications. See Vent Table below for specified sizes and allowable lengths.

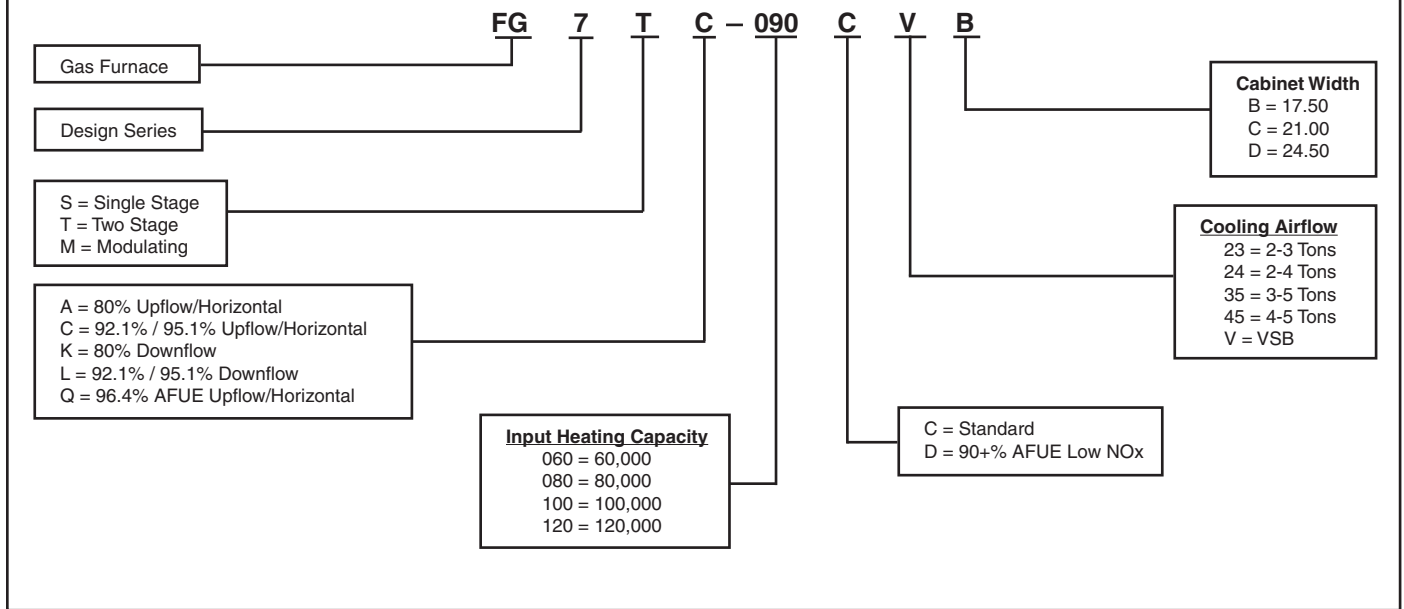
VENT TABLE

FURNACE MODELS (BTU)	FURNACE INSTALLATION	SINGLE PIPE LENGTH (FT.) with 1 long radius elbow**		DIRECT VENT, DUAL PIPE LENGTH (ft.) WITH 1 long radius elbow on each pipe**	
		OUTLET	OUTLET	INLET/OUTLET	INLET/OUTLET
		2" Diameter	3" Diameter	2" Diameter	3" Diameter
60,000	Upflow	90	90	90	90
	Horizontal	50	90	50	90
	Downflow	30	90	30	90
80,000	Upflow	40	90	40	90
	Horizontal	30	90	30	90
	Downflow	30	90	30	90
100,000	Upflow	30	90	30	90
	Horizontal	30	90	30	90
	Downflow	30	90	25	90
120,000	Upflow	N/A	90	N/A	90
	Horizontal	N/A	90	N/A	90
	Downflow	N/A	90	N/A	90

***NOTES:**

1. Subtract 2.5 ft. for each additional 2 inch long radius elbow, 5 ft. for each additional 2 inch short radius elbow, 3.5 ft. for each additional 3 inch long radius elbow, and 7 ft. for each additional 3 inch short radius elbow. Subtract 5ft for each 2" tee and 8ft for each 3" tee.
2. Two 45 degree elbows are equivalent to one 90 degree elbow.
3. This table applies for elevations from sea level to 2,000 ft. For higher elevations, decrease pipe lengths by 8% per 1,000 ft of altitude.

MODEL IDENTIFICATION CODE



SPECIFICATIONS

FG7TC MODELS NUMBERS:	-060D-VB	-080D-VC	-100D-VC	-120D-VD
Input - Btuh (a)	60,000 / 39,000	80,000 / 52,000	100,000 / 65,000	120,000 / 78,000
Heating Capacity - Btuh	57,000 / 37,050	76,000 / 49,400	95,000 / 61,750	114,000 / 74,100
AFUE	95.1	95.1	95.1	95.1*
Motor H.P.	1/2	3/4	3/4	1
Motor FLA	6.2	8.7	8.7	11.70
Rated Ext. SP - In. W.C.	0.5	0.5	0.5	0.5
Temperature Rise Range - °F	30-60	35-65	35-65	40-70
Shipping Weights	125lbs	135lbs	145lbs	160lbs

Note:

All models are 115V, 60 Hz. Gas Connections are 1/2" N.P.T. AFUE = Annual Fuel Utilization Efficiency

(a) Ratings to 2,000 ft. Over 2,000 ft. reduce 4% for each 1,000 ft. above sea level.

ACCESSORIES

FG7TC/TL KITS	
Description	SKU
2" Concentric Vent Kit, US approved only	904177
3" Concentric Vent Kit, US approved only	904176
2" Concentric Vent Kit, Canadian and US approved	904952
3" Concentric Vent Kit, Canadian and US approved	904953
"A" Cabinet Downflow Sub Base Kit	902974
"B", "C", "D" Cabinet Downflow Sub Base Kit	904911
2" Side Wall Vent Kit	904617
3" Side Wall Vent Kit	904347
U.S. LP Conversion Kit (0 to 10,000 ft.)	905028
Canada LP Conversion Kit (0 to 4,500 ft.)	905029
Bottom Return Filter 20 per Box, "A" Cabinet	903088
Bottom Return Filter 20 per Box, "B" Cabinet	904916
Bottom Return Filter 20 per Box, "C" Cabinet	904917
Bottom Return Filter 20 per Box, "D" Cabinet	904918
Side Return Filter Kit	541036
Neutralizer Kit	902377
Furnace Twinning Kit	1010035



Before purchasing this appliance, read important energy cost and efficiency information available from your retailer. Specifications and illustrations subject to change without notice and without incurring obligations. Printed in U.S.A (03/2019)