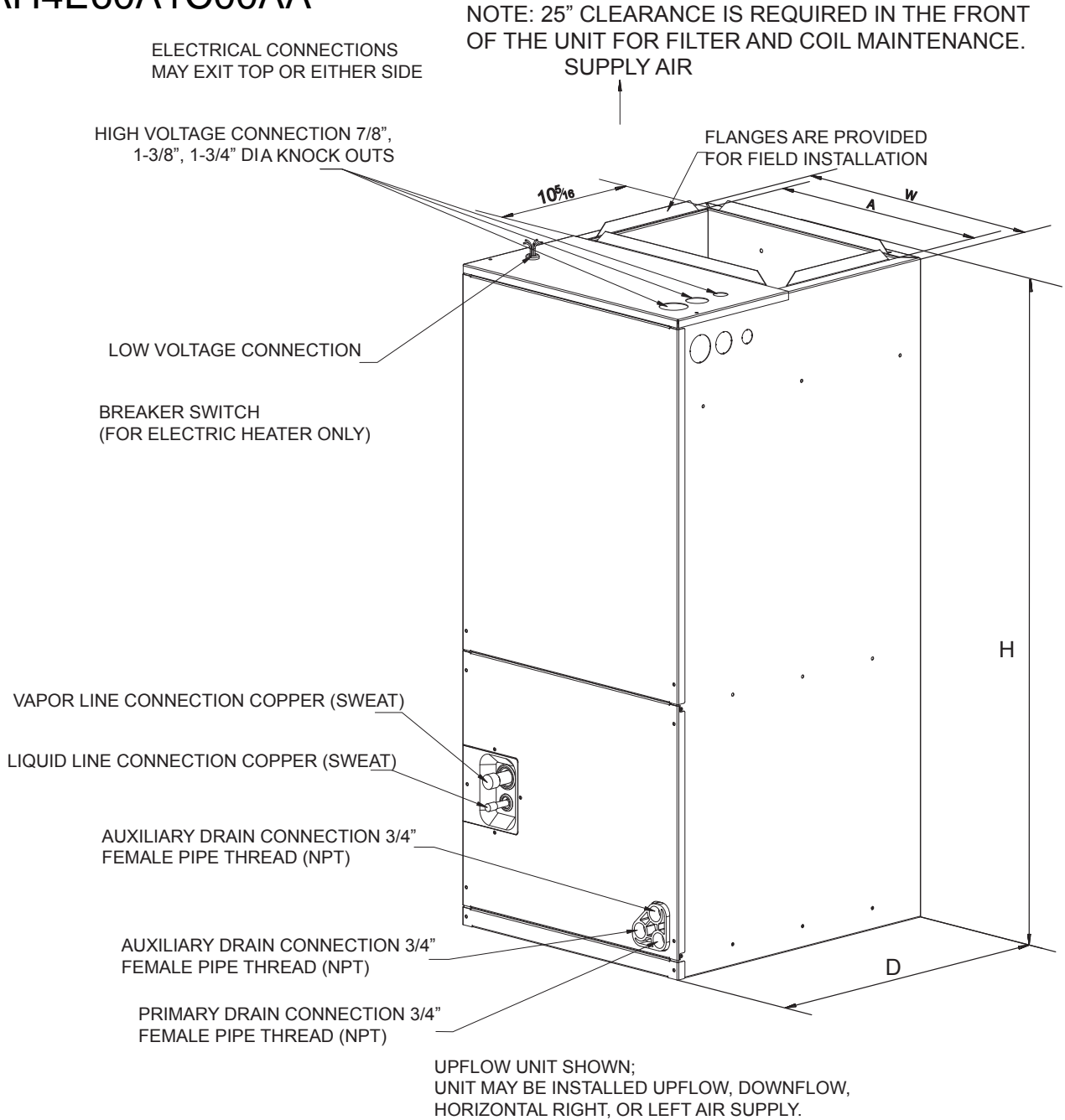


TAG: \_\_\_\_\_

**SUBMITTAL**

**5.0 Ton  
Multi-position Air Handler  
J4AH4E60A1C00AA**



NOTE: All dimensions are in mm/inches.

Model	H	W	D	A
J4AH4E60A1C00AA	1385 (54-1/2)	560 (22)	610 (24)	496 (19-1/2)

## PRODUCT SPECIFICATIONS

### PRODUCT SPECIFICATIONS

MODEL	J4AH4E60A1C00AA
RATED VOLTS/PH/HZ.	208-230/1/60
RATINGS	See O.D. Specifications
INDOOR COIL — Type	Plate Fin
Rows — F.P.I.	4 - 17
Face Area (sq. ft.)	6.00
Tube Size (in.)	9/32
Refrigerant Control	Orifice
Drain Conn. Size (in.)	3/4 NPT
DUCT CONNECTIONS	See Outline Drawing
INDOOR FAN — Type	Centrifugal
Diameter-Width (In.)	10-5/8 X 10-3/4
No. Used	1
Drive - No. Speeds	Direct - 5
CFM vs. in. w.g.	See Fan Performance Table
No. Motors — H.P.	1 - 3/4
Motor Speed R.P.M.	1050
Volts/Ph/Hz	208-230/1/60
F.L. Amps	4.5
FILTER	
Filter Furnished?	No
Type Recommended	Throwaway
No.-Size-Thickness	1 - 20 X 22 - 1 in.
REFRIGERANT	R-410A
Ref. Line Connections	Brazed
Coupling or Conn. Size — in. Gas	7/8
Coupling or Conn. Size — in. Liq.	3/8
DIMENSIONS	H x W x D
Crated (In.)	55-4/5 x 25 x 27-7/10
Uncrated	54-1/2 x 22 x 24
WEIGHT	
Shipping (Lbs.)/Net (Lbs.)	177/159



Heater Kit Model Used	Electric Heat (kW)	Min. Circuit Ampacity		Max. Fuse or Breaker (HACR) Ampacity		Minimum Heating Blower Speed	
		240V	208V	240V	208V	Without HP	With HP
JAYHTR1A05BKR*	5	31.8	28.3	40	30	Low	Low
JAYHTR1A08BKR*	7.5	44.8	39.6	45	40	Low	Low
JAYHTR1A10BKR*	10	57.8	50.9	60	60	Low	Low
JAYHTR1A15BKR*	15	57.8/26.1	50.9/22.6	60/30	60/25	Low	Low
JAYHTR1A20BKR*	20	57.8/52.1	50.9/45.2	60/60	60/50	Low	Low

Note: Factory set at Medium High Speed.

Motor Speed		AIR FLOW PERFORMANCE									
		J4AH4E60A1C00AA									
		External Static Pressure-Inches W.C. (kPa)									
		0(.0)	0.1(.02)	0.2(.05)	0.3(.07)	0.4(.10)	0.5(.12)	0.6(.15)	0.7(.17)	0.8(.20)	
1	CFM	1344	1284	1226	1151	1076	946	904	893	869	
2	CFM	1531	1477	1418	1366	1299	1239	1138	1064	1001	
3	CFM	1647	1592	1538	1490	1436	1378	1315	1215	1140	
4	CFM	1875	1822	1774	1729	1677	1629	1581	1533	1473	
5	CFM	2021	1967	1924	1879	1828	1785	1742	1694	1641	

# Mechanical Specifications

---

- Unique Cabinet Design
- Metal shell and glass cotton thermal insulation layer
- Multi-Position UP/Down Flow Horizontal Left /Right
- Braze in Refrigerant Connection
- Primary/Secondary Condensate Connections
- Blower with Integrated Slide Deck for Easy Removal
- Inner-groove aluminum tube and high-efficiency aluminum fin Coil with Integrated Slide Deck for Easy Removal
- More auxiliary Electric Heaters optional
- ECM5 Speed Motor
- High Efficiency
- Integrated Horizontal Drain pans and metal Vertical Drain
- Fused 24V Power
- 5-Year Warranty.
- Warranty Mirrors Outdoor.
- Optional extended warranty available.
- Suitable for Manufactured/Mobile Home Use.

**OXBOX™**  
A TRANE® BRAND



The manufacturer has a policy of continuous product and product data improvement and it reserves the right to change design and specification without notice.

**BX-PRQ-J4AH4E60A1C00A-1A**