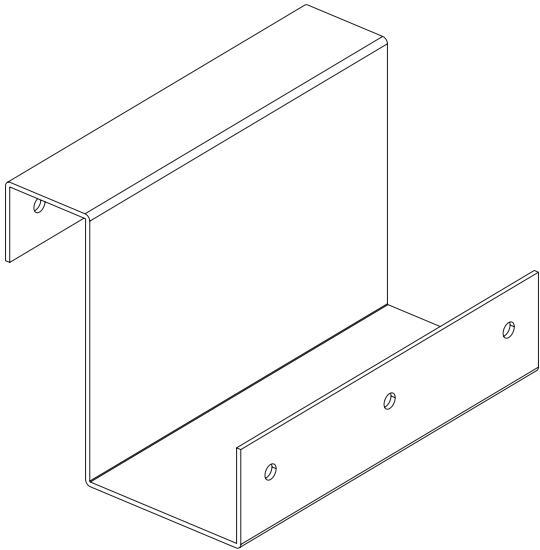




INSTALLATION INSTRUCTIONS

Extreme Condition Curb Mounting Kit JAYEXMK001A For Mounting on Full Perimeter Curbs



BX-SVN-JAYEXMK001-1A-EN



RECOGNIZE THIS SYMBOL AS AN INDICATION OF IMPORTANT SAFETY INFORMATION

WARNING

These instructions are intended as an aid to qualified licensed service personnel for proper installation, adjustment and operation of this unit. Read these instructions thoroughly before attempting installation or operation. Failure to follow these instruction may result in improper installation, adjustment, service or maintenance possibly resulting in fire, electrical shock, property damage, personal injury or death.



DO NOT DESTROY THIS MANUAL
Please read carefully and keep in a safe place for future reference by a serviceman.

Safety Section

WARNING

HAZARDOUS VOLTAGE!

Failure to follow this Warning could result in property damage, severe personal injury, or death. Disconnect all electric power, including remote disconnects before servicing. Follow proper lockout/tagout procedures to ensure the power cannot be inadvertently energized.

CAUTION

SHARP EDGE HAZARD!

Failure to follow this Caution could result in personal injury.

Be careful of sharp edges on equipment or any cuts made on sheet metal while installing or servicing. Personal injury may result.

General Data

Kit Contents

Items	Quantity
Bracket	8
Self drilling #12-3/4 Screws	48

Inspection

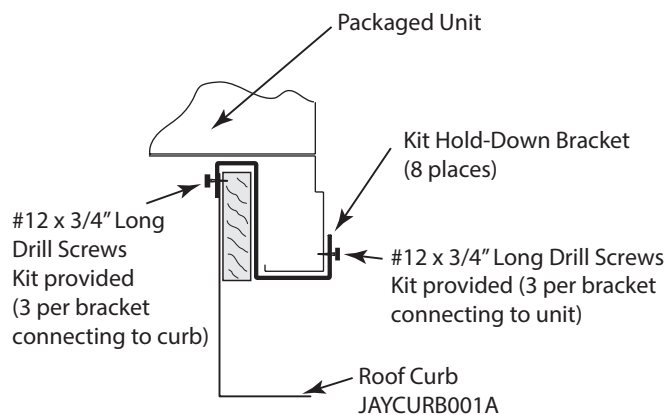
Check carefully for any shipping damage. This must be reported to and claims made against the transportation company immediately. Any missing parts should be reported to your supplier at once and replaced with authorized parts only.

Installation Instructions

These instructions are organized for an easy step-by-step procedure.

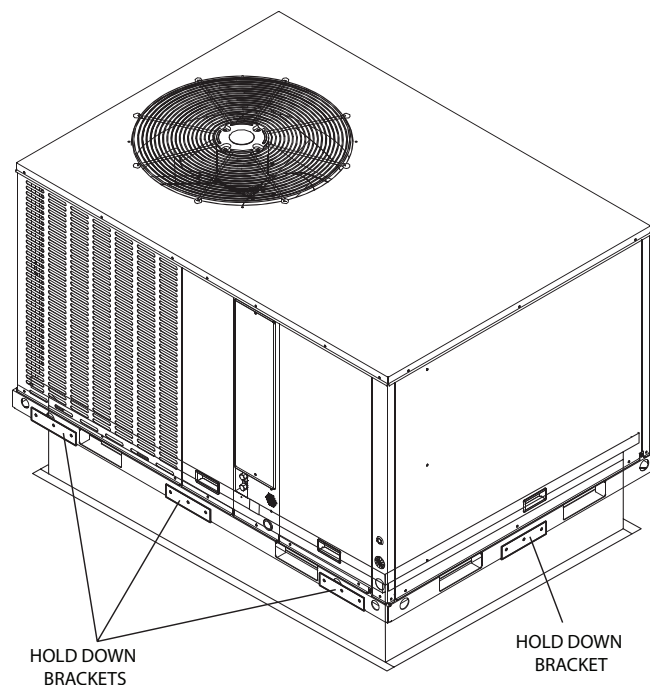
1. Prior to setting the packaged unit onto the curb, attach the eight (8) brackets to the curb flange. There will be three (3) brackets on each of the long sides of the unit and one (1) bracket on each of the short sides of the unit. Each bracket will require three (3) of the #12 x 3/4" self drilling screws supplied in the kit and attach to the curb flange as shown in Figures 1 and 2.

Figure 1. JAYEXMK001A Installation
Unit Mounted To Full Perimeter Curb
(JAYCURB)



2. Place the packaged unit on top of the curb. Using three (3) additional #12x3/4" self drilling screws per bracket, attach the brackets to the unit base rail.

Figure 2. JAYEXMK001A Bracket Locations



NOTE: 3 brackets on each of the long sides and 1 bracket on each of the short sides.

TwentyThreeC, LLC
800 Beaty Street,
Davidson, NC 28036
www.oxboxhvac.com

For more information contact
your local dealer (distributor).



Since the manufacturer has a policy of continuous product and product data improvement, it reserves the right to change the design and specification without notice.

© 2019 TwentyThreeC, LLC